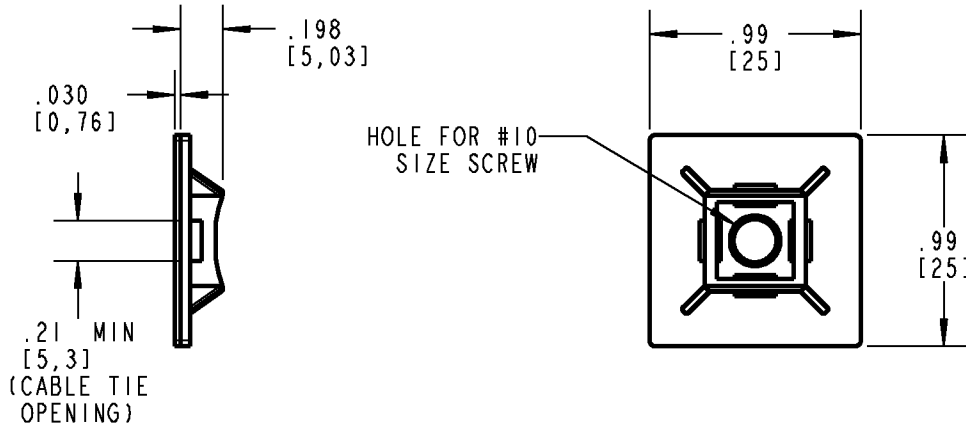




CABLE FASTENING ACCESSORIES



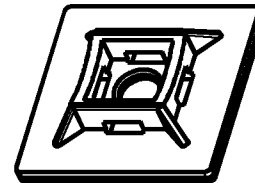
SPECIFICATIONS:

MATERIAL: NYLON

ADHESIVE: SYNTHETIC RUBBER

NOTES:

1. APPLICATION TEMPERATURE: 65°F TO 120°F (18°C TO 49°C)
STORAGE/SERVICE TEMPERATURE: 32°F TO 158°F (0°C TO 70°C)
2. SURFACE PREPARATION: SURFACE SHOULD BE CLEANED WITH ALCOHOL-BASED (IPA) CLEANER BEFORE APPLICATION.
3. APPLY WITH PRESSURE AND HOLE FOR 5 SECONDS.
4. USE WITHIN 30 SEC, ALLOW 15 MINUTES SET-UP FOR MAXIMUM PERFORMANCE ADHESION.
5. EXPIRATION DATE INDICATED ON PACKAGING.



CAT. No.	MATERIAL	MOUNTING METHOD	COLOR
MPNY-1000-9-*	NYLON NATURAL	SYNTHETIC RUBBER ADHESIVE	WHITE
MPNY-1000-0-*	NYLON WEATHERABLE	SYNTHETIC RUBBER ADHESIVE	BLACK

* DENOTES PACK QTY. "C"= 100, "D"= 500

GENERAL NOTES		Thomas & Betts A Member of the ABB Group			
1. ALL DIMENSIONS ARE FOR REFERENCE ONLY. 2. DIMENSIONS IN BRACKETS [] ARE IN METRIC UNITS.					
REVISIONS		DESCRIPTION: 1" x 1" CABLE TIE MOUNTING BASE			
- SEE ERN (****) FOR APPROVAL SIGNATURES & RELEASE DATE. PROJECT NO: ****		ORIGINAL PROJECT NO / (ERN NO)	SHEET NO:	REV. NO:	DRAWING NO:
		054P000575 / (2016272)	1 OF 1	-	WSD-001486